

# dizzer<sup>®</sup> XL W Series

## for Open Platform Installation

### Module Specifications

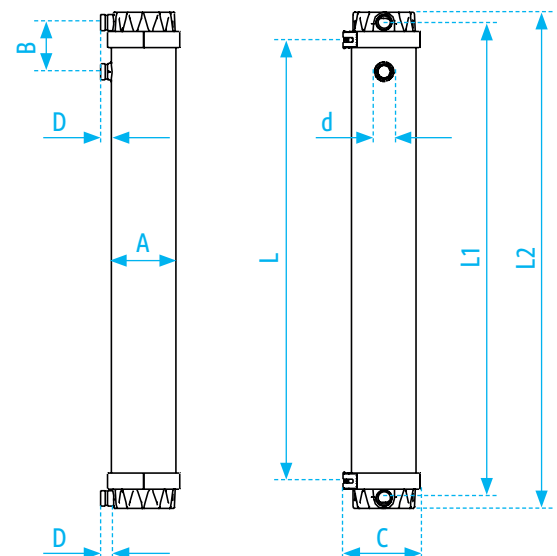
Module reference			dizzer <sup>®</sup> XL 0.9 MB 38 W		dizzer <sup>®</sup> XL 0.9 MB 60 W		dizzer <sup>®</sup> XL 0.9 MB 80 W		dizzer <sup>®</sup> XL 1.5 MB 25 W		dizzer <sup>®</sup> XL 1.5 MB 40 W	
Part number <sup>[1]</sup>			VK-0070		VK-0068		VK-0109		VK-0071		VK-0069	
Type of membrane <sup>[2]</sup>			Multibore <sup>®</sup> 0.9						Multibore <sup>®</sup> 1.5			
Active membrane area		m <sup>2</sup> ft <sup>2</sup>	38	410	60	645	80	861	25	270	40	430
Shipping weight		kg    lbs.	36	79.4	48	105.8	59	130.1	35	77.2	47	103.6
Module type			1		2		3		1		2	

Module type			1		2		3	
Module length (L)		mm    inch	985 ±1.5	38.78	1485 ±1.5	58.46	1720 ±1.5	67.72
Distance top / bottom feed port (L1)		mm    inch	1100 ±3	43.31	1600 ±3	62.99	1834 ±3	72.20
Length with end caps (L2)		mm    inch	1180 ±3	46.46	1680 ±3	66.14	1914 ±3	75.35

### Common Characteristics

Dimensions				
Module diameter (A)		mm    inch	250 ±1.5	9.84
Distance feed top port - filtrate port (B)		mm    inch	190 ±1.5	7.48
Outer diameter end cap coupling max. (C)		mm    inch	295	11.61
Port length (D)		mm    inch	40 ±1	1.57
Filtrate / Backwash port (d)		inch		2

Material	
Housing	PVC-U white
End cap	PVC-U grey
End cap coupling	SS (EPDM sealing)



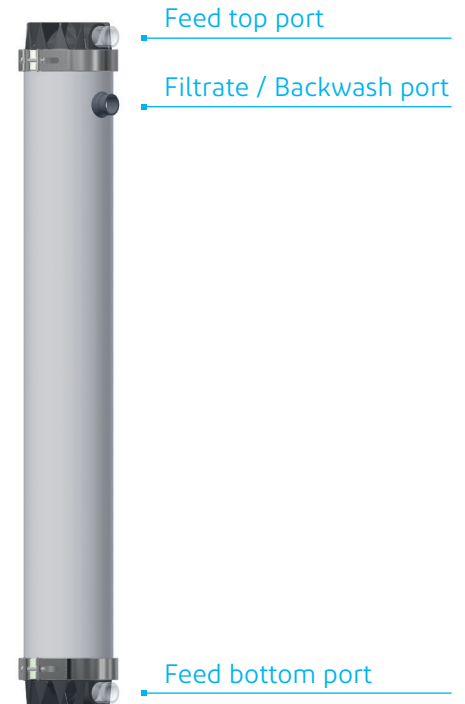
## Operating Parameters <sup>[3]</sup>

### Temperature

Permissible temperature range	°C	°F	1 – 40	34 – 104
Maximum rate of temperature change	°C/min	°F/min	5	9

### Pressure

Maximum operating pressure <sup>[4]</sup>	bar	psi	5	72
Maximum rate of pressure change	bar/sec	psi/sec	0.5	7.25



## Contact

inge GmbH  
 Flurstrasse 27  
 86926 Greifenberg, Germany  
 Phone +49 8192 997-700  
 Fax +49 8192 997-999  
 inge@dupont.com  
 www.dupontwatersolutions.com

- [1] Module with Connecting Kit (end caps and couplings). Please contact inge GmbH if you want to order replacement modules without Connecting Kit. Modules are delivered with end caps ports aligned with the filtrate / backwash port with a tolerance of  $\pm 3$  mm. In the event that the alignment needs to be modified, the end cap couplings can be loosened to align the end caps ports with the filtrate / backwash port as desired. After alignment, the end cap couplings must be fastened with a torque wrench whose tightening value must be set at 40 Nm.
- [2] Please refer to the latest version of the Multibore® datasheet.
- [3] For membrane related operating conditions, please refer to [2].
- [4] The design pressure corresponds to the maximum permitted operating pressure in continuous operation at the specified design temperature. Higher operating pressures than 5 bar may be possible in certain cases. However, this must first be verified and approved by inge GmbH.

### Note

The descriptions, designs, data and product information contained herein are presented in good faith and are based on inge GmbH's current knowledge and experience. inge GmbH cannot accept any liability for the accuracy of this product information, which is provided at no charge and for guidance only. inge® products are designed to be operated in accordance with the corresponding inge® product documentation. The product information and products are protected by copyright and/or other intellectual property laws worldwide. However, inge GmbH cannot guarantee that the product information and products can be used without infringing third party intellectual property rights. The products and product information may only be used, distributed and marketed with the express prior permission of inge GmbH. No warranties of any kind regarding the products, either expressed or implied, including, but not limited to, warranties of merchantability, fitness for a particular purpose or no third party rights are made, other than as expressly set out in the contractual agreement with the customer. Mechanical stability and full functionality of inge® products can only be provided by genuine inge® parts. inge GmbH reserves the right to modify products and product information at any time without prior information. Current product information can be obtained from the website [www.dupontwatersolutions.com](http://www.dupontwatersolutions.com)