

PMF SERIES PANEL MOUNT FLOWMETERS

- Solid One piece Injection Molded Acrylic Body
- Stainless Steel Float and Internals

PMF SERIES ADJUSTABLE PANEL MOUNT FLOWMETERS

INF SERIES INLINE FLOWMETERS

LIQUATEC PMF SERIES FLOWMETERS

are of consistent quality with unparalleled endurance. Utilizing our experience in Engineering and Injection Molding, we have developed a low cost, competitive, and highly consistent quality product. Our product reduces the chances of human error often associated with handmade machined products.

LIQUATEC PMF SERIES FLOWMETERS

have easy-to-read scales, silk-screened onto the acrylic bodies, that are extremely accurate. With our durable, attractive, low cost construction, and practically unbreakable bodies, you will soon make these your flowmeters of choice.



Liquatec
p r o d u c t s

PMF SERIES PANEL MOUNT FLOWMETERS



FLOW RATES AND CONNECTIONS

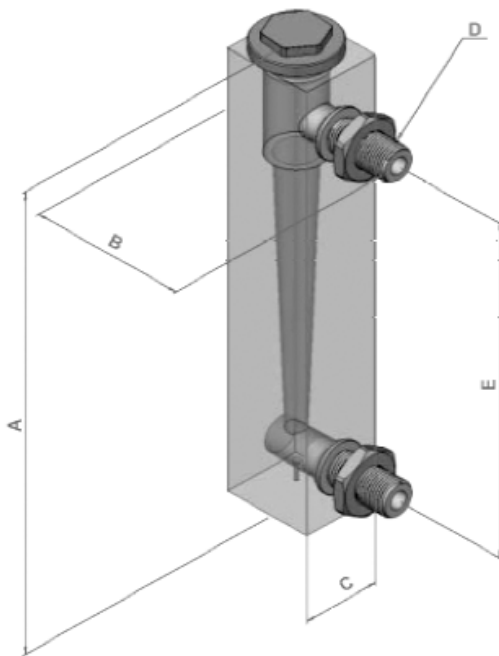
有O的表示有備庫存

	MODEL NUMBER	CALIBRATION	ADAPTER SIZE
Panel Mount	<input type="radio"/> PMF-0202	0.2 to 2.0	0.8 to 8
	<input type="radio"/> PMF-0505	0.5 to 5.0	2 to 18
	<input type="radio"/> PMF-2010	2.0 to 10.0	4 to 40
	<input type="radio"/> PMF-2016	2.0 to 16.0	8 to 60
	<input type="radio"/> PMF-4024	4.0 to 24.0	10 to 100
	<input type="radio"/> PMF-5035	5.0 to 35.0	10 to 130
Adjustable Panel Mount	PMF-0101A	0.1 to 1.0	0.4 to 4
	PMF-0202A	0.2 to 2.0	1 to 7
	PMF-0505A	0.5 to 5.0	2 to 18
	PMF-2010A	2.0 to 10.0	10 to 35
	PMF-4014A	4.0 to 14.0	15 to 50
	PMF-6020A	6.0 to 20.0	20 to 70
	PMF-10035A	10.0 to 35.0	30 to 130
	INF-0202	0.2 to 2.0	1 to 7
	INF-0505	0.5 to 5.0	1.8 to 18
	INF-1010	1.0 to 10.0	4 to 36
In-Line Style	<input type="radio"/> INF-2020	2.0 to 20.0	10 to 70
	<input type="radio"/> INF-5030	5.0 to 30.0	20 to 110
	<input type="radio"/> INF-20060M	20.0 to 60.0	80 to 220
	<input type="radio"/> INF-200100	20.0 to 100.0	80 to 360
	<input type="radio"/> INF-400120	40.0 to 120.0	150 to 450
	<input type="radio"/> INF-500150	50.0 to 150.0	190 to 550
	<input type="radio"/> INF-600200	60.0 to 200.0	220 to 750
	<input type="radio"/> INF-600200	60.0 to 200.0	220 to 750

MATERIALS OF CONSTRUCTION

- BODY ACRYLIC, PLASTIC
- ORINGS EPDM
- CONNECTIONS POLYPROPYLENE
- GUIDE 304 STAINLESS STEEL
- FLOAT 304 STAINLESS STEEL
- MAX PRESSURE 120 PSI (827KPA)
- TEMP RATING 120°F (34C)

DIMENSIONAL DATA



MODEL	A (INCH)	B (INCH)	C (INCH)	D	E (INCH)
PMF-0202	8.4	2.75	1.38	3 / 8 " NPT	6.5
PMF-0505	8.4	2.75	1.38	1 / 2 " NPT	6.5
PMF-1010	9.0	3.75	1.58	3 / 4 " NPT	6.5

MODEL	A (MM)	B (MM)	C (MM)	D	E (MM)
PMF-0202	213.2	70	35	3 / 8 " NPT	165
PMF-0505	213.2	70	35	1 / 2 " NPT	165
PMF-1010	229.2	95.2	40	3 / 4 " NPT	165

ACCURACY IS +/- 6%

Flowmeters are tested and calibrated for water only.
Although may be suitable for other liquids,
Liquatec will not guarantee them.

DISTRIBUTED BY:

Liquatec
P R O D U C T S

P.O. Box 2637 Chino Hills, CA 91709 USA
sales@Liquatec.com
www.Liquatec.com